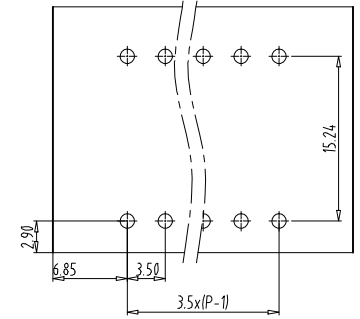
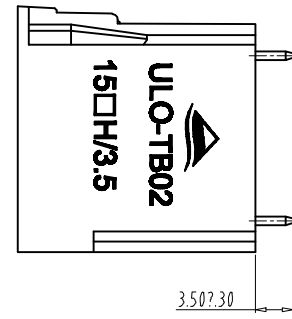
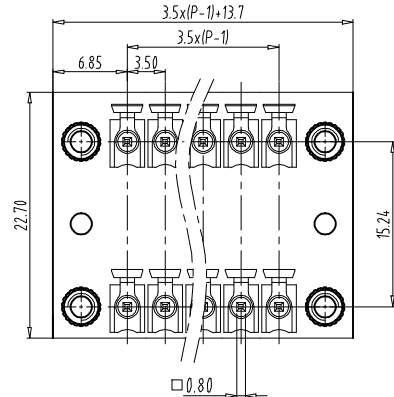
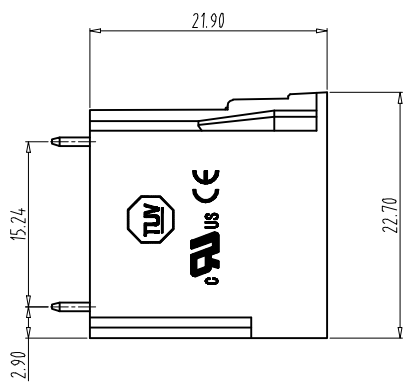


FILE: 2021-D01VULO

REV	E.C.N NO.	CONTENT	CHK	DATE



PCB Layout

NOTES1:

- UL Standard
 - Rating voltage/current: 300V/8A
 - withstanding voltage: AC1600V/1Min
- IEC Standard
 - Pollution Degree 2
 - Overtoltage Category II
 - Rate Impulse Voltage(KV) 2.5KV
 - Rate Voltage(V) 250V
 - Rate Current(A) 10.5A

1. Pollution Degree	2
Overtoltage Category	II
Rate Impulse Voltage(KV)	2.5KV
Rate Voltage(V)	250V
Rate Current(A)	10.5A

NOTES2:

- Housing: PA66(UL94V-0)
- Cover: PA66(UL94V-0)
- Solder Pin: Brass(Sn Plated)
- Nut: Brass

NOTES3:

- Pitch: 3.5mm Poles: 2X(02-24)P
- Operating temperature: -40℃~+105℃
- RoHS Compliance

How to order

ULO-TB02 - 15VHM/3.5 - 2xX X P - Y 0 0 0A

Certificate Series NO. Factory Code poles Customer requirements

color:
 1:Grey 6:Red
 2:Blue 7:transparent
 3:Black 8:Yellow
 4:Green 9:White
 5:Orange

Total Pitch Tolerances in mm										Nominal dimension range in mm										⊥	=	-	//		
over 0	over 30	over 53	over 70	over 90	over 115	over 150	over 200	over 250	over 320	over 0	over 30	over 53	over 70	over 90	over 115	over 150	over 200	over 250	over 320	over 0	over 10	all	over 0	over 100	over 150
±0.18	±0.20	±0.25	±0.3	±0.35	±0.44	±0.55	±0.70	±0.75	±0.20	±0.25	±0.30	±0.30	±0.35	±0.35	±0.44	±0.55	±0.70	±0.80	±0.90	0.2	0.3	0.3	0.2	0.3	0.5

ITEM	NAME OF PART	NO. OF PART	Q"TY	MATERIAL	NOTE
DWG.	ZJL	DATE	21.01.08	UNITS	MM
CHK.		DATE		SCALE	1:1
APP.		DATE			
				NAME	ULO-TB02-15VHM/3.5-2xXXP-Y000A
				DWGNO.	ULOTB02Y000A

